

# KC80, a Fast Z80 Compatible CPU Core and

*[Redacted]*

*[Redacted]*  
Yasuo Yamada\*\* Hiroshi Suzuki\*\*\* Hideki Yoneda\*\*

## 1 Background

A CPU core is different from a standard CPU, being a CPU circuit block that is designed especially to be part



Table 1 Specifications of KC80 CPU core

Maximum clock frequency	10 MHz
Operational clock frequency	0 ~ 10 MHz
Performance	• 5 times faster than Z80 (8 MHz) • Minimum execution time; 0.1 $\mu$ s
Instruction set	Binary compatible with Z80

• 1 clock cycle/memory access

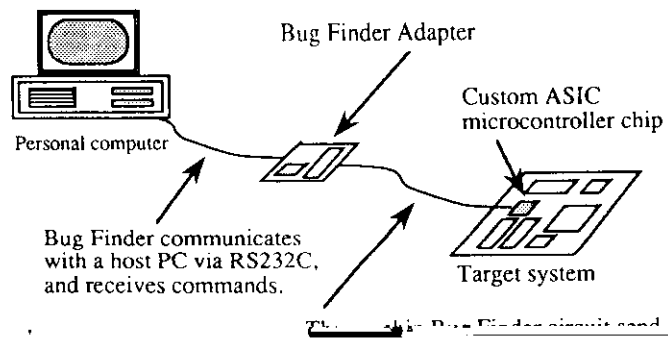


Fig. 2 Configuration of Bug Finder system in use